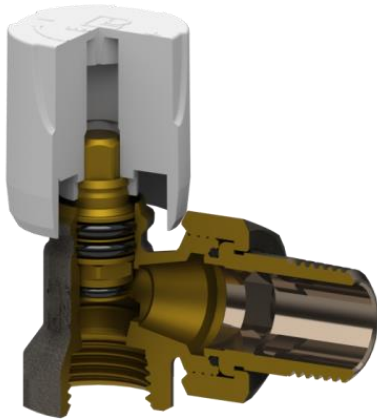


### EASY

---

#### Function

EASY radiator valves offer topmost quality and ensure tightness in a tiny space. EASY valves are simple and reliable thanks to their fixed stem, whose tightness is ensured by two O-rings.



---

#### Technical data

Max. working pressure:	10 bar
Max. differential pressure:	1 bar
Max. working temperature:	120 °C
Working fluids:	Water in compliance with UNI 8065:1989

#### Materials

Valve body:	CW 617 N – DW UNI-EN 12165:2016
Obturator:	CW 614 N – DW UNI-EN 12164:2016
Gaskets:	Peroxide cured EPDM
Knob:	RAL9016 white ABS

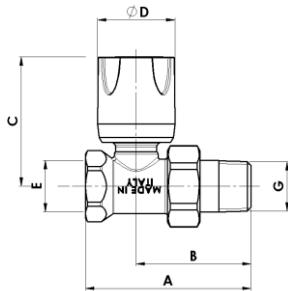
#### Surface treatment

Nickel-plating

## Dimensional Drawings

### RD 101

Single adjustment straight radiator valve.  
Connection for iron pipe



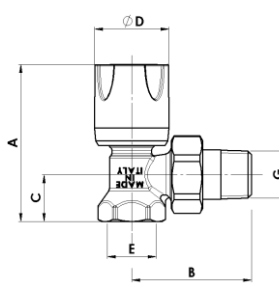
Code	Size	A	B	C	D	E
11221700	DN10 3/8	65	45	53	32	G3/8
11222100	DN15 1/2	68	47	53	32	G1/2
11222700	DN20 3/4	80	56	55	32	G3/4

Code	Size	F	G	H	L	M
11221700	DN10 3/8	-	R3/8	-	-	-
11222100	DN15 1/2	-	R1/2	-	-	-
11222700	DN20 3/4	-	R3/4	-	-	-

### RS 102

Single adjustment angle radiator valve.  
Connection for iron pipe



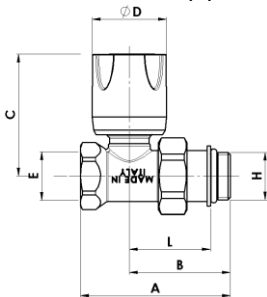
Code	Size	A	B	C	D	E
11021700	DN10 3/8	65	49	18	32	G3/8
11022100	DN15 1/2	67	51	20	32	G1/2
11022700	DN20 3/4	70	61	25	32	G3/4

Code	Size	F	G	H	L	M
11021700	DN10 3/8	-	R3/8	-	-	-
11022100	DN15 1/2	-	R1/2	-	-	-
11022700	DN20 3/4	-	R3/4	-	-	-

### RD 105

Single adjustment straight radiator valve with O-ring sealing.  
Connection for iron pipe



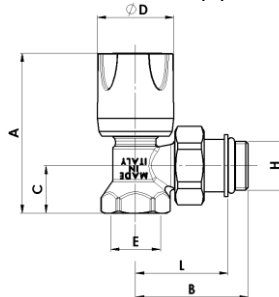
Code	Size	A	B	C	D	E
11222117	DN10 3/8	62	42	53	32	G3/8
11222103	DN15 1/2	64	43	53	32	G1/2
11222703	DN20 3/4	77	53	55	32	G3/4

Code	Size	F	G	H	L	M
11222117	DN10 3/8	-	-	G3/8	32	-
11222103	DN15 1/2	-	-	G1/2	33	-
11222703	DN20 3/4	-	-	G3/4	41	-

### RS 106

Single adjustment angle radiator valve with O-ring sealing.  
Connection for iron pipe



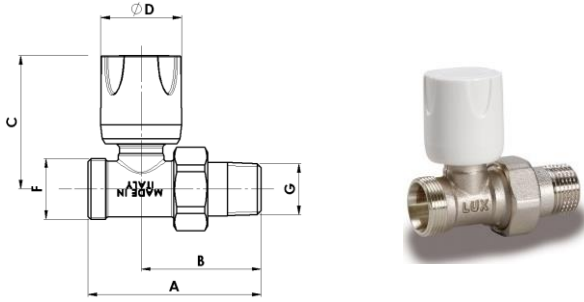
Code	Size	A	B	C	D	E
11022117	DN10 3/8	65	46	18	32	G3/8
11022103	DN15 1/2	65	47	20	32	G1/2
11022703	DN20 3/4	70	58	25	32	G3/4

Code	Size	F	G	H	L	M
11022117	DN10 3/8	-	-	G3/8	36	-
11022103	DN15 1/2	-	-	G1/2	37	-
11022703	DN20 3/4	-	-	G3/4	46	-

### RD 111

Single adjustment straight radiator valve.  
Connection for copper and plastic pipe W24x19"



Code	Size	A	B	C	D	E
------	------	---	---	---	---	---

11321700	DN10 3/8	65	45	53	32	-
----------	----------	----	----	----	----	---

11322100	DN15 1/2	68	47	53	32	-
----------	----------	----	----	----	----	---

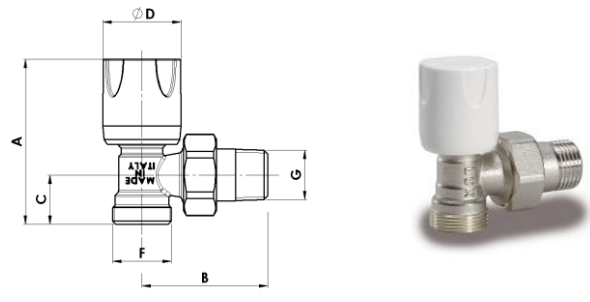
Code	Size	F	G	H	L	M
------	------	---	---	---	---	---

11321700	DN10 3/8	W24x19	R3/8	-	-	-
----------	----------	--------	------	---	---	---

11322100	DN15 1/2	W24x19	R1/2	-	-	-
----------	----------	--------	------	---	---	---

### RS 112

Single adjustment angle radiator valve.  
Connection for copper and plastic pipe W24x19"



Code	Size	A	B	C	D	E
------	------	---	---	---	---	---

11121700	DN10 3/8	67	49	20	32	-
----------	----------	----	----	----	----	---

11122100	DN15 1/2	66	51	20	32	-
----------	----------	----	----	----	----	---

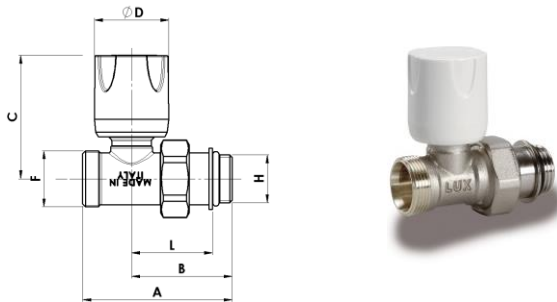
Code	Size	F	G	H	L	M
------	------	---	---	---	---	---

11121700	DN10 3/8	W24x19	R3/8	-	-	-
----------	----------	--------	------	---	---	---

11122100	DN15 1/2	W24x19	R1/2	-	-	-
----------	----------	--------	------	---	---	---

### RD 118

Single adjustment straight radiator valve with O-ring sealing.  
Connection for copper and plastic pipe W24x19"



Code	Size	A	B	C	D	E
------	------	---	---	---	---	---

11322117	DN10 3/8	63	42	53	32	-
----------	----------	----	----	----	----	---

11322103	DN15 1/2	64	43	53	32	-
----------	----------	----	----	----	----	---

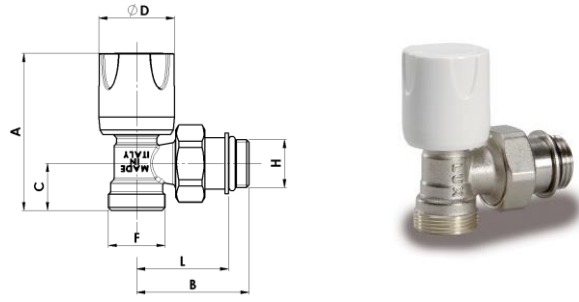
Code	Size	F	G	H	L	M
------	------	---	---	---	---	---

11322117	DN10 3/8	W24x19	-	G3/8	32	-
----------	----------	--------	---	------	----	---

11322103	DN15 1/2	W24x19	-	G1/2	33	-
----------	----------	--------	---	------	----	---

### RS 119

Single adjustment angle radiator valve with O-ring sealing.  
Connection for copper and plastic pipe W24x19"



Code	Size	A	B	C	D	E
------	------	---	---	---	---	---

11122117	DN10 3/8	67	46	20	32	-
----------	----------	----	----	----	----	---

11122103	DN15 1/2	66	47	20	32	-
----------	----------	----	----	----	----	---

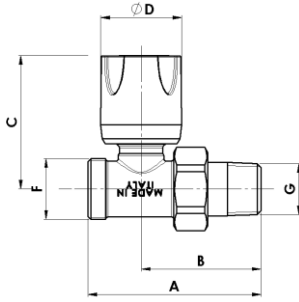
Code	Size	F	G	H	L	M
------	------	---	---	---	---	---

11122117	DN10 3/8	W24x19	-	G3/8	36	-
----------	----------	--------	---	------	----	---

11122103	DN15 1/2	W24x19	-	G1/2	37	-
----------	----------	--------	---	------	----	---

### RD 111/A

Single adjustment straight radiator valve.  
Connection for copper and plastic pipe G3/4 Eurokonus

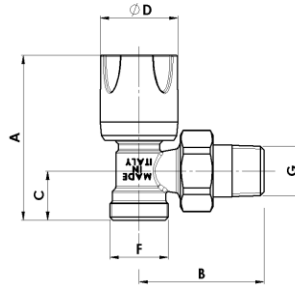


Code	Size	A	B	C	D	E
11322719	DN10 3/8	66	45	53	32	-
11322722	DN15 1/2	69	48	53	32	-

Code	Size	F	G	H	L	M
11322719	DN10 3/8	G3/4EK	R3/8	-	-	-
11322722	DN15 1/2	G3/4EK	R1/2	-	-	-

### RS 112/A

Single adjustment angle radiator valve.  
Connection for copper and plastic pipe G3/4 Eurokonus

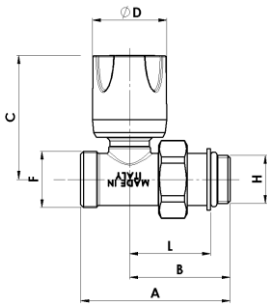


Code	Size	A	B	C	D	E
11122718	DN10 3/8	65	49	20	32	-
11122721	DN15 1/2	66	51	20	32	-

Code	Size	F	G	H	L	M
11122718	DN10 3/8	G3/4EK	R3/8	-	-	-
11122721	DN15 1/2	G3/4EK	R1/2	-	-	-

### RD 118/A

Single adjustment straight radiator valve with O-ring sealing.  
Connection for copper and plastic pipe G3/4 Eurokonus

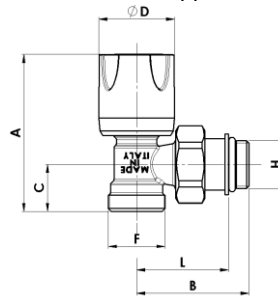


Code	Size	A	B	C	D	E
11322717	DN10 3/8	63	42	53	32	-
11322703	DN15 1/2	64	43	53	32	-

Code	Size	F	G	H	L	M
11322717	DN10 3/8	G3/4EK	-	G3/8	32	-
11322703	DN15 1/2	G3/4EK	-	G1/2	33	-

### RS 119/A

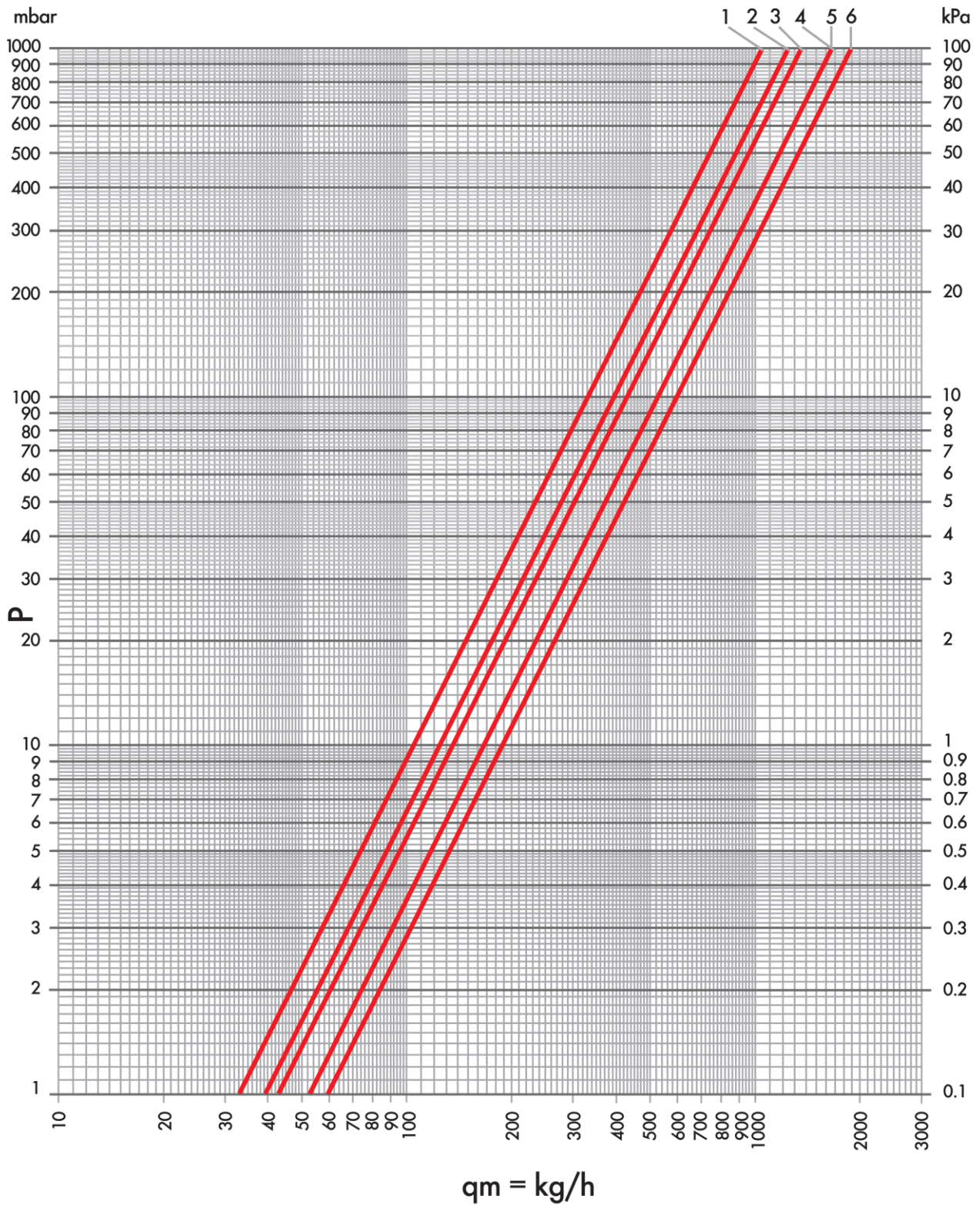
Single adjustment angle radiator valve with O-ring sealing.  
Connection for copper and plastic pipe G3/4 Eurokonus



Code	Size	A	B	C	D	E
11122717	DN10 3/8	66	46	20	32	-
11122703	DN15 1/2	66	47	20	32	-

Code	Size	F	G	H	L	M
11122717	DN10 3/8	G3/4EK	-	G3/8	36	-
11122703	DN15 1/2	G3/4EK	-	G1/2	37	-

## Hydraulic Characteristics

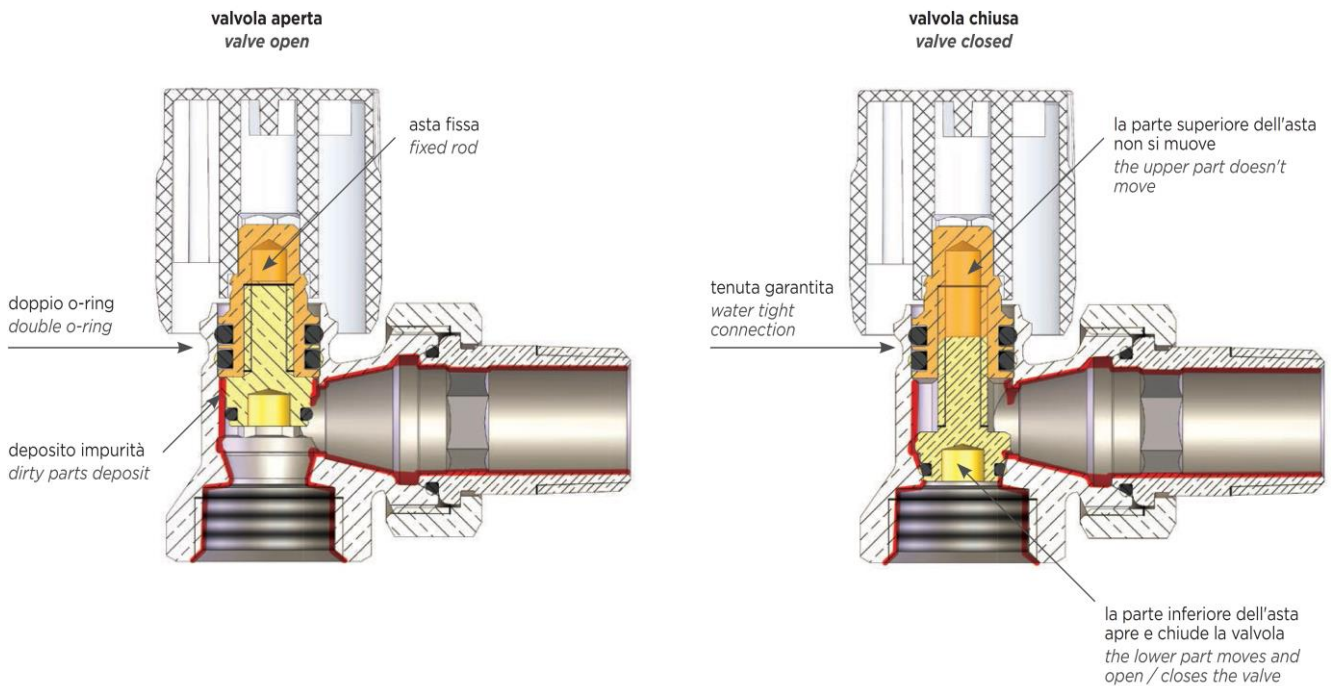


Curve	Kv	Items
1	1.05	RD 101 3/8; RD 105 3/8; RD 111 3/8; RD 118 3/8; RD 118/A 3/8
2	1.25	RD 101 1/2; RD 105 1/2; RD 111 1/2; RD 111/A 1/2; RD 118 1/2; RD 118/A 1/2
3	1.35	RD 101 3/4; RD 105 3/4
4	1.65	RS 102 3/8; RS 106 3/8; RS 112 3/8; RS 119 3/8; RS 119/A 3/8
5	1.65	RS 102 1/2; RS 106 1/2; RS 112 1/2; RS 112/A 1/2; RS 119 1/2; RS 119/A 1/2
6	1.90	RS 102 3/4; RS 106 3/4

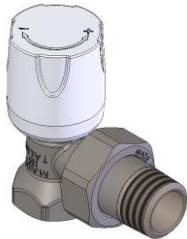
## Constructive peculiarities

### VANTAGGI DELL'ASTA REALIZZATA IN DUE PEZZI ADVANTAGES OF THE STEM MADE IN TWO PIECES

#### ASTA IN DUE PEZZI / TWO PIECES STEM



## Working Instructions



The valve may be adjusted by using the ABS knob. Turn clockwise to reduce the flow rate or close the valve. Turn anti-clockwise to increase the flow rate.

**WARNING:** Once the system has been leak tested, please relieve the pressure. A differential pressure over 1 bar between the inlet and the outlet of the valve may cause the sealing O-ring to be expelled.

## Item Specifications

---

### RD 101

Straight manual radiator valve with white ABS knob. ISO 228/1 connection for iron pipe 3/8"F, 1/2"F and 3/4"F. Radiator connection with prefitted peroxide cured EPDM O-ring and DIN 2999 conical thread 3/8"M, 1/2"M and 3/4"M. Valve body in nickel-plated CW617N brass. Double peroxide cured EPDM O-ring. Max. working temp. 120 °C, max. working pressure 10 bar, differential pressure 1 bar.

---

### RS 102

Angle manual radiator valve with white ABS knob. ISO 228/1 connection for iron pipe 3/8"F, 1/2"F and 3/4"F. Radiator connection with prefitted peroxide cured EPDM O-ring and DIN 2999 conical thread 3/8"M, 1/2"M and 3/4"M. Valve body in nickel-plated CW617N brass. Double peroxide cured EPDM O-ring. Max. working temp. 120 °C, max. working pressure 10 bar, differential pressure 1 bar.

---

### RD 105

Straight manual radiator valve with white ABS knob. ISO 228/1 connection for iron pipe 3/8"F, 1/2"F and 3/4"F. Radiator connection with prefitted peroxide cured EPDM O-ring, cylindrical thread 3/8"M, 1/2"M and 3/4"M and O-ring. Valve body in nickel-plated CW617N brass. Double peroxide cured EPDM O-ring. Max. working temp. 120 °C, max. working pressure 10 bar, differential pressure 1 bar.

---

### RS 106

Angle manual radiator valve with white ABS knob. ISO 228/1 connection for iron pipe 3/8"F, 1/2"F and 3/4"F. Radiator connection with prefitted peroxide cured EPDM O-ring, cylindrical thread 3/8"M, 1/2"M and 3/4"M and O-ring. Valve body in nickel-plated CW617N brass. Double peroxide cured EPDM O-ring. Max. working temp. 120 °C, max. working pressure 10 bar, differential pressure 1 bar.

---

### RD 111

Straight manual radiator valve with white ABS knob. W24x19 connection for copper, plastic and multilayer pipe and 3/4"F. Radiator connection with prefitted peroxide cured EPDM O-ring and DIN 2999 conical thread 3/8"M and 1/2"M. Valve body in nickel-plated CW617N brass. Double peroxide cured EPDM O-ring. Max. working temp. 120 °C, max. working pressure 10 bar, differential pressure 1 bar.

---

### RS 112

Angle manual radiator valve with white ABS knob. W24x19 connection for copper, plastic and multilayer pipe and 3/4"F. Radiator connection with prefitted peroxide cured EPDM O-ring and DIN 2999 conical thread 3/8"M and 1/2"M. Valve body in nickel-plated CW617N brass. Double peroxide cured EPDM O-ring. Max. working temp. 120 °C, max. working pressure 10 bar, differential pressure 1 bar.

---

### RD 118

Straight manual radiator valve with white ABS knob. W24x19 connection for copper, plastic and multilayer pipe. Radiator connection with prefitted peroxide cured EPDM O-ring, cylindrical thread 3/8"M and 1/2"M and O-ring. Valve body in nickel-plated CW617N brass. Double peroxide cured EPDM O-ring. Max. working temp. 120 °C, max. working pressure 10 bar, differential pressure 1 bar.

---

### RS 119

Angle manual radiator valve with white ABS knob. W24x19 connection for copper, plastic and multilayer pipe. Radiator connection with prefitted peroxide cured EPDM O-ring, cylindrical thread 3/8"M and 1/2"M and O-ring. Valve body in nickel-plated CW617N brass. Double peroxide cured EPDM O-ring. Max. working temp. 120 °C, max. working pressure 10 bar, differential pressure 1 bar.

---

### RD 111/A

Straight manual radiator valve with white ABS knob. Connection for copper, plastic and multilayer pipe 3/4"M EK. Radiator connection with prefitted peroxide cured EPDM O-ring and DIN 2999 conical thread 3/8"M and 1/2"M. Valve body in nickel-plated CW617N brass. Double peroxide cured EPDM O-ring. Max. working temp. 120 °C, max. working pressure 10 bar, differential pressure 1 bar.

---

### RS 112/A

Angle manual radiator valve with white ABS knob. Connection for copper, plastic and multilayer pipe 3/4"M EK. Radiator connection with prefitted peroxide cured EPDM O-ring and DIN 2999 conical thread 3/8"M and 1/2"M. Valve body in nickel-plated CW617N brass. Double peroxide cured EPDM O-ring. Max. working temp. 120 °C, max. working pressure 10 bar, differential pressure 1 bar.

---

### RD 118/A

Straight manual radiator valve with white ABS knob. Connection for copper, plastic and multilayer pipe 3/4"M EK. Radiator connection with prefitted peroxide cured EPDM O-ring, cylindrical thread 3/8"M and 1/2"M and O-ring. Valve body in nickel-plated CW617N brass. Double peroxide cured EPDM O-ring. Max. working temp. 120 °C, max. working pressure 10 bar,

---

differential pressure 1 bar.

---

### **RS 119/A**

Angle manual radiator valve with white ABS knob. Connection for copper, plastic and multilayer pipe 3/4" M EK. Radiator connection with prefitted peroxide cured EPDM O-ring, cylindrical thread 3/8" M and 1/2" M and O-ring. Valve body in nickel-plated CW617N brass. Double peroxide cured EPDM O-ring. Max. working temp. 120 °C, max. working pressure 10 bar, differential pressure 1 bar.

---



Luxor S.p.A.

Sede amministrativa, stabilimento e uffici commerciali:

Administrative office, factory and commercial office:

Tel.: 030-9961161 – Fax: 030-9961165

info@luxor.it – www.luxor.it

via Madonnina, 94 – 25018 Montichiari - (BS) Italy

*Luxor si riserva il diritto di apportare miglioramenti e modifiche ai prodotti descritti ed ai relativi dati tecnici in qualsiasi momento e senza preavviso -  
Luxor reserves the right to ameliorate and modify the above products and their technical data at any time and without notice*